

# FIRE PLUG

Universal and automatic feeder  
for biomass boilers

INSTALLATION  
TIME



20 min



Art. AP3400.00.21

Kit all inclusive

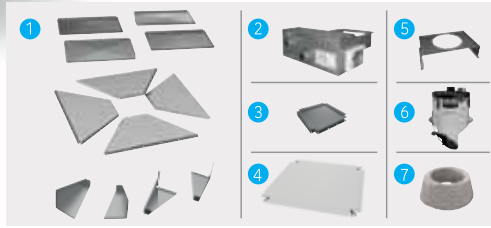
Automatic loading for biomass fuels

# 01 Take home Fire Plug



## Everything you need in a box

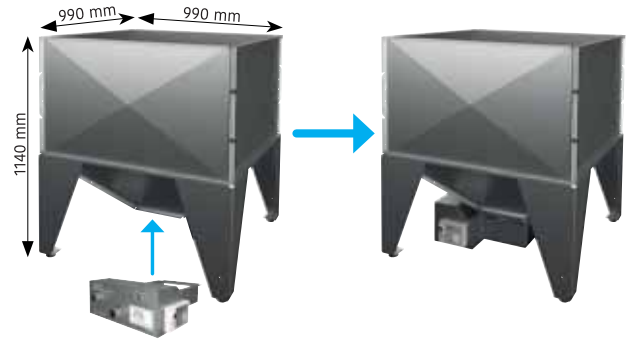
The kit is complete with all elements to automatically feed the boiler and stock the biomass



- 1 - Steel tank
- 2 - Fire Plug motor
- 3 - Shutter module
- 4 - Tank cover
- 5 - Bridge shelf
- 6 - Regular dispenser
- 7 - Antistatic flexible hose 20 m

# 02 Install it in record time

A 10 mm wrench is all that you need to mount the tank and connect it to the Fire Plug motor module (bolts included)



# 03 Connect it to the boiler

Place the dispenser on top of the boiler tank and connect the hoses included. Please note that the maximum length between Fire Plug and boiler should not exceed 10 m



# 04 Forget the effort

Enjoy only the best of biomass heating. You will no longer have to make efforts to feed the boiler because Fire Plug will do it automatically for you



Watch how it works

## Need extra stock? Add the **optionals**

### Choose the elevation that you prefer and increase the tank

Fire Plug is supplied with standard 660 l capacity storage, add modules and increase the volume heating to meet your needs.



**H 20 cm**  
+ 180 l of biomass fuel  
Art. AP3420.00.20



**H 30 cm**  
+ 270 l of biomass fuel  
Art. AP3420.00.30



**H 60 cm**  
+ 540 l of biomass fuel  
Art. AP3420.00.60



**Standard tank**  
included in the kit  
for 660 l of biomass fuel

### Increase comfort



Bag support grid  
for easy feeding  
art. AP3420.10.02



Antistatic flexible  
hose 5 m  
art. AP6000.50.05